

PXH (坚固型) 不锈钢电接点压力表 PXH/PXHN

(Solid model) Stainless steel electric contact pressure gauge

PXHN (坚固型) 不锈钢充油耐震接点压力表

(Solid model) Stainless steel vibration-proof electric contact pressure gauge (oil filling)



防腐型

Corrosion-proof

PXH-100 (PXC-100H)



防腐耐震型

Corrosion-proof & vibration-proof

PXHN-100 (PXCN-100H)

应用 Application

主要测压元件及仪表外壳均采用不锈钢材料设计，适于测量腐蚀性较强的气体及液体的压力。




The materials of element for measuring pressure and case are both stainless steel, Suitable for measuring the strong corrosion gaseous and liquid medium pressure.

应用 Application

通过对表体内充油，利用液体阻尼确保无振动显示，适用于测量介质强烈脉动及环境震动较大的场所。

Both gauges are filled with oil for vibration-proof indication, suitable for the adverse service conditions where sharp pulsation and vibration exist.

MODEL YXH/YXHN

仪表安装类型 Mounting	可选型号 Model	不锈钢防腐 电接点压力表可选型号 Stainless steel corrosion-proof Electric contact pressure gauge	不锈钢充油耐震 电接点压力表可选型号 Stainless steel vibration-proof with oil filling Electric contact pressure gauge
径向直接安装 Bottom mounting direct 63mm 外径 diameter 100mm 外径 diameter 150mm 外径 diameter 160mm 外径 diameter 		PXH-63. AO (YXC-63H) PXH-100. AO (YXC-100H) PXH-150. AO (YXC-150H) PXH-160. AO (YXC-160H)	PXHN-100. AO (PXCN-100H) PXHN-150. AO (PXCN-150H) PXHN-160. AO (PXCN-160H)
轴向直接安装 Back mounting direct 100mm 外径 diameter 150mm 外径 diameter 		PXH-100. BO (PXC-100HZ) PXH-150. BO (PXC-150HZ)	PXHN-100. BO (PXCN-100HZ) PXHN-150. BO (PXCN-150HZ)
轴向嵌装 Back embedded mounting 100mm 外径 diameter 150mm 外径 diameter 		PXH-100. BT (PXC-100HZZT) PXH-150. BT (PXC-150HZZT)	PXHN-100. BT (PXCN-100HZZT) PXHN-150. BT (PXCN-150HZZT)

与隔离体的配接

以上各类型的仪表均可与本公司生产的使用不同材料膜片的隔离体配接，组成隔膜式电接点压力表，适用于测量多种腐蚀性较强及粘度大易结晶介质的压力。

Fitting Diaphragm Seal

Composing with our diaphragm seals in different materials, the above pressure gauges can also be made into the electric contact diaphragm pressure gauges that are applied in measuring viscous, strongly corrosive medium as well as the crystallographic medium.



法兰隔膜体连接，参见说明书 H.00 页。

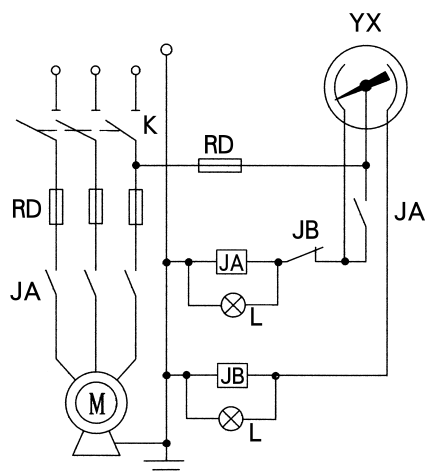
Please see Diaphragm Seal Pressure Gauge for more flange diaphragm seals.

主要技术参数 Specifications

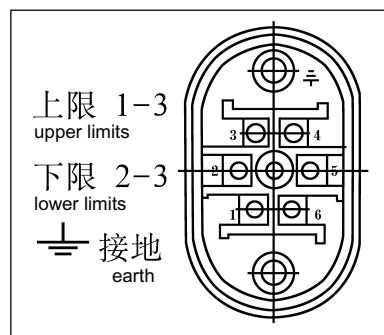
执行标准 Executive standard: JB/T9273-1999

测量范围	最小 Minimum: 0 ~ 0.1Mpa 最大 Maximum: 0-100Mpa 负压最小 Minimum negative pressure: -0.1Mpa 负压最大 Maximum negative pressure: -0.1 ~ 2.4Mpa	Ranges
指示精度	100mm 0.1mp 2.51A 精度 63mm/2.5%; 100/150/160mm,1.5% (1.0% 可选)	Accuracy Class(Indication)
设定精度	4%	Accuracy Class(Setting)
接点数量	1 个或 2 个, (100mm3 个或 4 个接点可选) 1 or 2, (100mm, 3 or 4 contacts available)	Quantity of Contacts
接点材质	110V 银镍合金, 36V 黄金	
最高工作电压	AC380V 或(or) DC220V	Maximum Working Voltage
最大电流	1A	Maximum Current
触头功率	30VA	Contact Power
温度影响	使用温度偏离 20 ± 5 时, 其设定点误差变化不大于 0.6%/10 When temperature deviates from 20 ± 5 , the error of set point is not more than 0.6%/10	Temperature Effects
防护等级	标准不充油型 IP 54 ; 充油型 IP65	Protection Class
仪表玻璃	普通玻璃、安全玻璃 Common glass or Safety glass	Window
连接尺寸	M20 × 1.5 或约定的特殊要求 Customized connection	Connection Size
耐震型充液	专用充填液 Special liquid filled	Filling for vibration-proof style

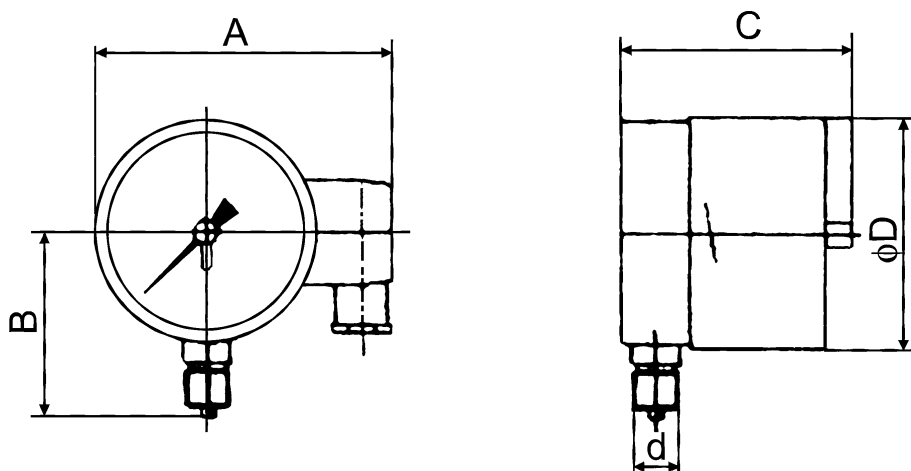
接线图 Wiring Scheme



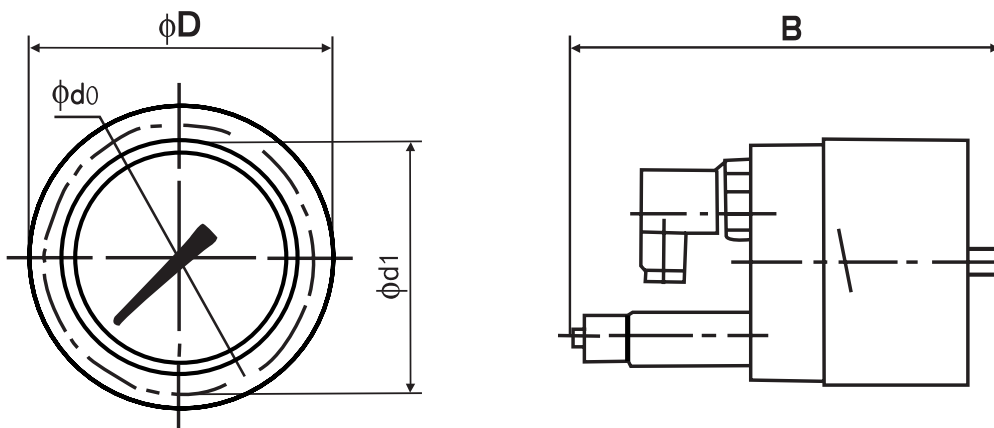
- YX 电接点压力表
Electric contact pressure gauge
- M 发电机
Power generator
- JA 接触器及其触点
Contactor and its contacts
- JB 中间继电器及其触点
Medium relay and its contacts
- K 组合开关
Combination switch
- L 指示灯
Indication lamp
- RD 熔断器
Fuse



仪表外型尺寸 DIMENTIONS



尺寸 Dimension		A	B	C	D	d
型号 Model		(mm)	(mm)	(mm)	(mm)	(mm)
Without mounting loop 不带安装环	公称直径 Diameter 63mm	25	59	78	64	G $\frac{1}{4}$
	公称直径 Diameter 100mm	136	90	95	101	M20 × 1.5 或其它规格 or other specifications
	公称直径 Diameter 150mm	190	120	95	149	
	公称直径 Diameter 160mm	193	125	98	161	



尺寸 Dimension		A	B	C	D	d
型号 Model		(mm)	(mm)	(mm)	(mm)	(mm)
With mounting loop 带安装环	公称直径 Diameter 100mm	136	90	95	101	M20 × 1.5 或其它规格 or other specifications
	公称直径 Diameter 150mm	190	120	95	149	