

63 整体焊壳旋压密封式压力表

PTFN-063.().533

63 Bottom mounting, welded case and Roll formed pressure gauge

产品特性：

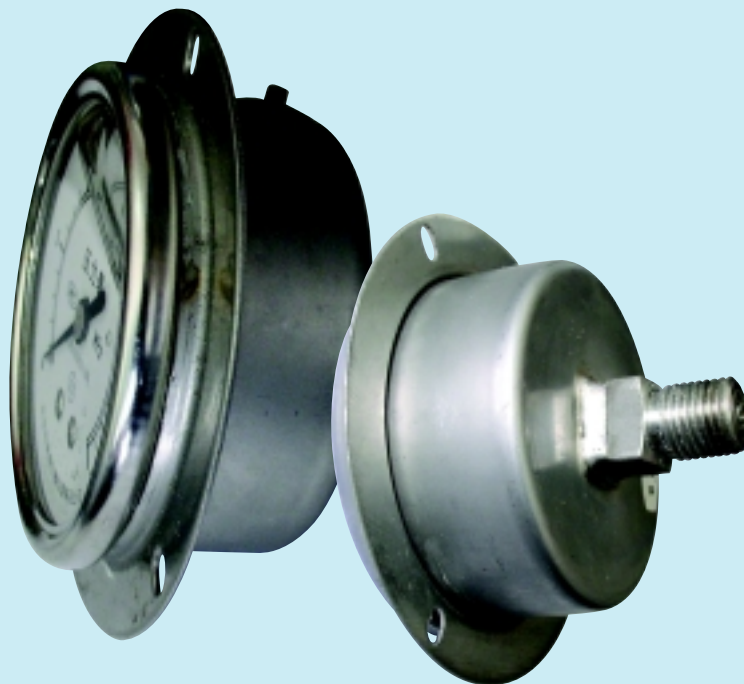
轴向，径向安装结构
焊壳式旋压密封罩壳设计
不锈钢内机
M14X1,5 螺纹连接
2.5% 精度等级
测量范围：0.1MPa ~ 40MPa

仪表型号标示 Type code：

轴向直接安装 Back mounting
PTFN-063. ZO. 533 (PTN-63HZ)
轴向前环安装 Back mounting with front ring
PTFN-063. ZT. 533 (PTN-63HZT)

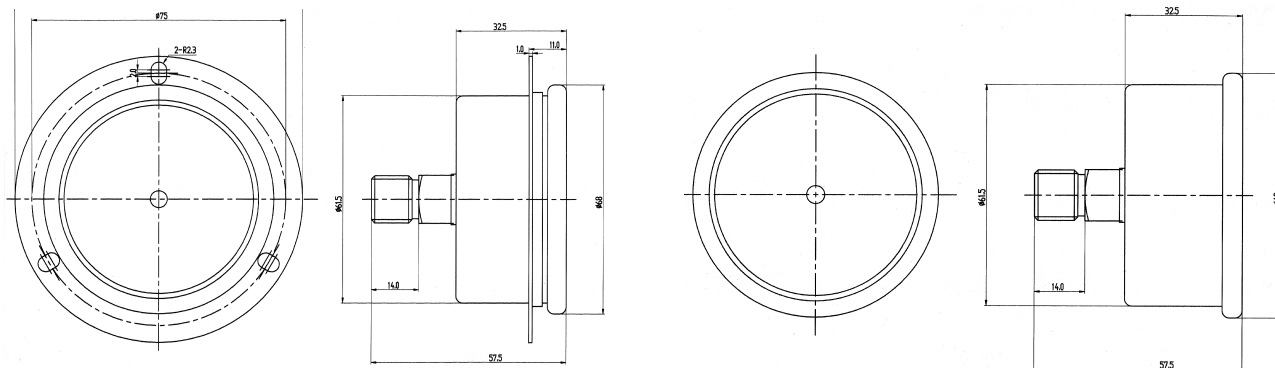
Characteristics

Back mounting
Welded case, Roll formed
Stainless Steel internals
M14 x 1.5
Accuracy: 2.5%
Range: 0.1MPa ~ 40MPa



几何尺寸 DIMENSIONS

单位 Unit (mm)



常用量程规格代码表 TABLE OF RANGES (其它规格代码略)

选型代码 code	量程规格 ranges	选型代码 code	量程规格 ranges	选型代码 code	量程规格 ranges
M500	-0.1~0 MPa	M160	2.5 MPa	P090	200 psi
M510	-0.1~0.06MPa	M180	4.0 MPa	P100	300 psi
M520	-0.1~0.15MPa	M200	6.0 MPa	P110	400 psi
M530	-0.1~0.3MPa	M220	10 MPa	P120	600 psi
M540	-0.1~0.5MPa	M230	16 MPa	P130	1000 psi
M550	-0.1~0.9MPa	M240	25 MPa	P140	1500 psi
M560	-0.1~1.5MPa	M270	40 MPa	P150	2000 psi
M570	-0.1~2.4MPa	M280	60 MPa	P160	3000 psi
M010	0.06MPa	M290	100 MPa	P170	4000 psi
M030	0.1 MPa	M300	160 MPa	P180	5000 psi
M040	0.16 MPa			P190	6000 psi
M060	0.25 MPa	P045	20psi	P200	7500 psi
M080	0.4 MPa	P050	30 psi	P210	10000 psi
M100	0.6 MPa	P060	60 psi	P220	15000 psi
M120	1.0 MPa	P070	100 psi	P230	20000 psi
M140	1.6 MPa	P080	160 psi		

如何选型 HOW TO ORDER

	型号代码 Code	特性说明 Introduction						
Basic type 基本型号	P	一般密闭压力表 General Obturation pressure gauge						
	PTN	一般耐震压力表 General Vibration-proof Pressure Gauge						
	PTF	不锈钢防腐压力表 Stainless Steel Corrosion-proof Pressure Gauge						
	PTFN	不锈钢防腐耐震压力表 Stainless Steel Corrosion-proof & Vibration-proof Pressure Gauge						
Diameter 外径	063	63mm						
	075	75mm						
	098	98mm						
Mounting 安装方式	AO	径向直接安装 Bottom mounting						
	ZO	中轴向直接安装 Back mounting						
	ZT	中轴向嵌装 Back panel mounting						
	ZK	中轴向 U 型卡子安装 Back U clamp mounting						
Design 设计代码	511	两件式不锈钢内卡外壳 2-piece Stainless Steel body with inside bayonet ring						
	512	两件式不锈钢外卡外壳 2-piece Stainless Steel body with outside bayonet ring						
	513	两件式不锈钢旋压密封外壳 2-piece Stainless Steel body with roll formed ring						
	533	不锈钢焊壳旋压密封罩壳 Stainless Steel welding case with roll formed ring						
Ranges 量程	M120	1MPa (其它规格详见量程代码表 See range table)						
Connection 连接螺纹	M14	M14x1.5	G14	G1/4				
	M20	M20x1.5	G38	G3/8				
	G12	G1/2	R38	ZG3/8				
	Z12	NPT1/2	Z38	NPT3/8				
Options 备选项	GKB	抛光处理 Polishing	TPB	特殊仪表盘面 Special dial				
	PHD	缓冲螺钉 Buffer screw	SBD	安全双层玻璃 Laminated safety glass				
	SKA	碳钢外壳 Carbon case	SBB	有机玻璃 Organic glass				
	SYB	充硅油 Silicone filled	GHB	不锈钢管银焊 Stainless Steel tube silver soldering				
	BDA	1级精度 Accuracy 1%	FWP	加不锈钢位号牌 Stainless Steel Label				