

# 40 小外径不锈钢密闭型压力表 PGS-040

## 40 Small Stainless Steel Obturation type Pressure Gauge

### 产品特性：

轴向安装结构  
压紧式罩壳设计  
304 本色钢外壳钢内机  
仪表接头与表壳胶密封与激光焊壳式可选。  
螺纹连接 NPT1/4(其它连接见选型指南)  
2.5% 精度等级  
测量范围：0-0.25MPa  
0-0.6 MPa  
0-1 MPa  
0-1.6 MPa

不锈钢焊壳式 Stainless Steel welding case

仪表型号标示 Type code：

PGS-040. ZO. 535 (PG-40Z)

胶密封外壳 Stainless Steel welding case

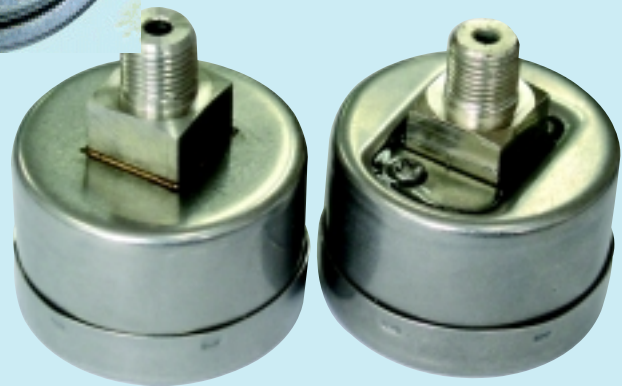
型号标示 Type code：

3-040. ZO. 505 (YTF-40Z)



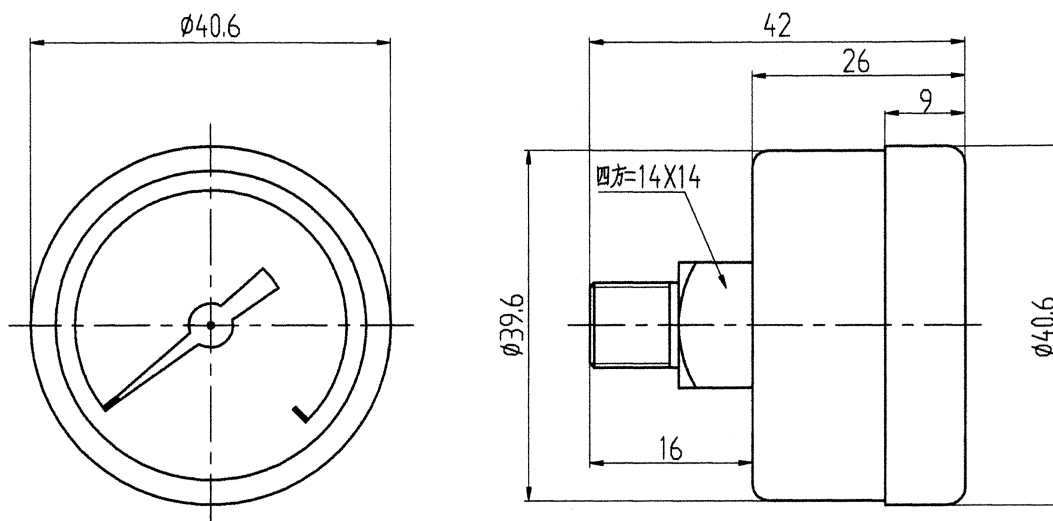
### CHARACTERISTICS

Back mounting  
Push in type  
Stainless Steel case, 304 original color case  
Laser welding and glue sealing between case and socket available  
connection  
Accuracy: 2.5%  
Range: 0-0.25MPa  
0-0.6 MPa  
0-1 MPa  
0-1.6 MPa



### 几何尺寸 DIMENSIONS

单位 Unit (mm)



量程范围规格代码表 TABLE OF RANGES (其它规格代码略)

选型代码 code	量程规格 ranges	选型代码 code	量程规格 ranges	选型代码 code	量程规格 ranges
M500	-0.1~0 MPa	M160	2.5 MPa	P090	200 psi
M510	-0.1~0.06MPa	M180	4.0 MPa	P100	300 psi
M520	-0.1~0.15MPa	M200	6.0 MPa	P110	400 psi
M530	-0.1~0.3MPa	M220	10 MPa	P120	600 psi
M540	-0.1~0.5MPa	M230	16 MPa	P130	1000 psi
M550	-0.1~0.9MPa	M240	25 MPa	P140	1500 psi
M560	-0.1~1.5MPa	M270	40 MPa	P150	2000 psi
M570	-0.1~2.4MPa	M280	60 MPa	P160	3000 psi
M010	0.06MPa			P170	4000 psi
M030	0.1 MPa			P180	5000 psi
M040	0.16 MPa	P040	15psi		
M060	0.25 MPa	P045	20psi	b120	16 bar
M080	0.4 MPa	P050	30 psi	b130	20 bar
M100	0.6 MPa	P060	60 psi	b140	25 bar
M120	1.0 MPa	P070	100 psi	b145	30 bar
M140	1.6 MPa	P080	160 psi	b150	40 bar

## 如何选型 HOW TO ORDER

	型号代码 Code	特性说明 Introduction						
基本型号 Basic type	P	铜合金内机普通标准型 Copper alloy internals, standard type						
	PGY	铜合金内机特殊用途标准型 Copper alloy internals, special purpose standard type						
	PGR	铜合金内机充液耐震型 Copper alloy internals, liquid filling, vibration-proof						
	PG	不锈钢内机标准型 Stainless Steel internals, standard type						
	PGVR	不锈钢内机充液耐震型 Stainless Steel internals, liquid filling, vibration-proof						
外径 Diameter	040	40mm	050	50mm	036	36mm		
	041	41mm	051	51mm	044	44mm		
	043	43mm	053	53mm	046	46mm		
安装方式 Mounting	AO	径向直接安装 Bottom mounting						
	AT	径向后背板安装 Bottom postnotum mounting						
	ZO	中轴向直接安装 Back mounting						
	ZT	中轴向嵌装 Back panel mounting						
	ZK	轴向卡子安装 Back clamp mounting						
设计代码 Design code	105	塑料表壳压紧式 Plastic case push in type						
	200	铁外壳、螺钉上紧式 Iron case, fixed with screw						
	203	铁外壳旋压密封罩壳 Stainless Steel case, Roll formed						
	204	铁外壳旋紧式 Iron case, Screw type						
	205	铁外壳压紧式 Iron case, Push in type						
	505	不锈钢外壳压紧式 Stainless Steel case Push in type						
	513	2件式钢外壳旋压密封式 Two-piece type, Stainless Steel case, Roll formed						
	533	不锈钢焊壳旋压密封式 Stainless Steel case welded, Roll formed						
535	不锈钢焊壳压紧式 Stainless Steel case welded, Push in type							
量程 Ranges	M120	1MPa (其它规格详见量程代码表 See range table)						
连接螺纹 Connection	M10	M10x1	G184	G1/8	Z14	NPT1/4		
	M14	M14x1.5	G14	G1/4				
	R18	ZG1/8	R14	ZG1/4				
备选项 Options	TPB	特殊仪表盘面 Special dial	BDA	1级精度 Accuracy 1%				
	PHD	缓冲螺钉 Buffer screw	FWP	加不锈钢位号牌 Stainless Steel label				
	SKA	碳钢外壳 Carbon steel case	SBB	有机玻璃 Organic glass				
	SKB	SUS304 外壳 Case	SYB	充硅油 Silicone filling				