

75、 100 全塑隔膜压力表

All plastic Diaphragm Pressure Gauge

型号标示 Model Indication:

PTS-075. AO. 104-F (YTP-75BSF)

PTS-100. AO. 104-F (YTP-100BSF)

PTS-075. AO. 104-F₁ (YTP-75BSF1)

PTS-100. AO. 104-F₁ (YTP-100BSF1)



产品简介

全塑隔膜压力表是由通用的塑壳压力表与一个全塑材料的隔膜隔离体配接而成的。接体型号有F标准型及F1法兰隔离体型两种(隔膜体及型号介绍请详见样本H.01页)。全塑隔膜压力表主要部件均采用塑料材料制作,隔离膜片材料为PTFE材质,具有极好的防强腐蚀性能。此仪表适用于测量氯气、盐酸、硝酸等具有强腐蚀作用的气体或液体的压力。

PRODUCT OVERVIEW

It is composed by a general plastic case pressure gauge and a plastic diaphragm isolated connection body. The codes of the connection body are F standard type and F1 type (Diaphragm body and type introductions to see page H.01). The main parts are made all by plastic and the isolation diaphragm is made from PTFE corrosion-proof. It would be used in measuring the corrosive liquid and gas as chlorine, hydrochloric acid and nitric acid, etc.

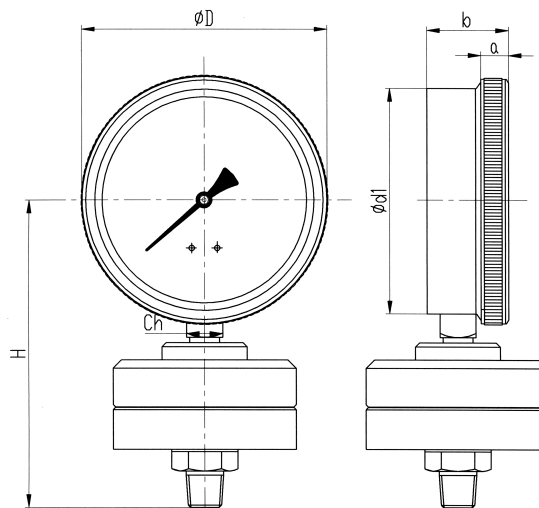
主要技术参数

仪表公称直径	75mm ; 100mm ;
精度等级	1.5%
测量范围	M030 (0-0.1Mpa) M040 (0-0.16Mpa) M060 (0-0.25Mpa) M080 (0-0.4Mpa) M100 (0-0.6Mpa) M120 (0-1 Mpa)
防护等级	IP 54
连接	900S 标准型 M20 (M20X1.5) 螺纹连接 ; 910S I 型法兰连接具体标准见 样本 H.01.1-H.03-5 页 ;
仪表外壳材料	
仪表接头	铜合金 , 热缩塑料包裹
隔离体材料	
隔离体膜片材料	
仪表充液	内部充填工作液 硅油
温度条件	-25 至 70
工作压力	静负荷 : 用至测量上限值的 3/4 交变负荷 : 用至测量上限值的 2/3 短时压力 : 用至测量上限值

Specifications

Diameter:	75mm; 100mm
Accuracy:	1.5%
Ranges:	M030 (0-0.1Mpa) M040 (0-0.16Mpa) M060 (0-0.25Mpa) M080 (0-0.4Mpa) M100 (0-0.6Mpa) M120 (0-1 Mpa)
Degree of protection:	IP 54
Connection:	900S Standard type M20 (M20X1.5) connection; 910S I shape flange connections to see page H.01.1-H.03-5.
Case	
Socket:	Copper alloy, pyrocondensation plastic package
Isolation body	
Isolation diaphragm:	
Liquid filling:	Silicone
Temperature:	-25 to 70
Working pressure:	Dead load: 3/4 of full scale value Alternating load: 2/3 of full scale value Short time: full scale value

几何尺寸 Dimensions



单位 Unit (mm)

规格 Specification	尺寸 Dimension					
	D	d1	Ch	a	b	H
PTS-075 (YTP-75BS)	90	79	17	13	37.5	137
PTS-100 (YTP-100BS)	116	105	17	13	37.5	150