

40、50 铁壳旋压密封式压力表 P-040.203

40, 50 Iron case roll formed pressure gauge P-050.203

产品特性：

- 轴向安装、轴向卡子安装结构
- 旋压密封式罩壳设计
- 铜内机、
- 喷黑塑铁壳
- M10x1 螺纹连接
- 2.5% 精度等级
- 测量范围：0.1MPa ~ 6MPa



CHARACTERISTICS

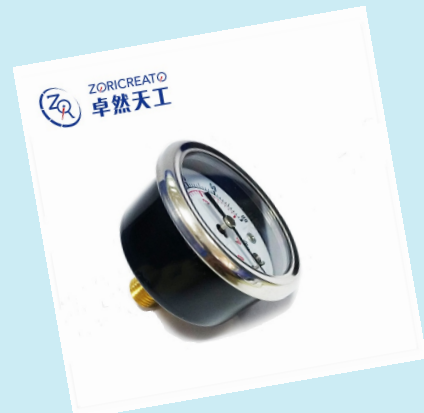
- Back mounting, Back clamp mounting
- Roll formed
- Brass internals
- Iron case with black plastic painted
- M10x1 connection
- Accuracy 2.5%
- Range: 0.1MPa ~ 6MPa

仪表型号标示

Type code

P-040. ZK. 203 (Y49-AZK)

P-050. ZK. 203 (Y512-AZK)



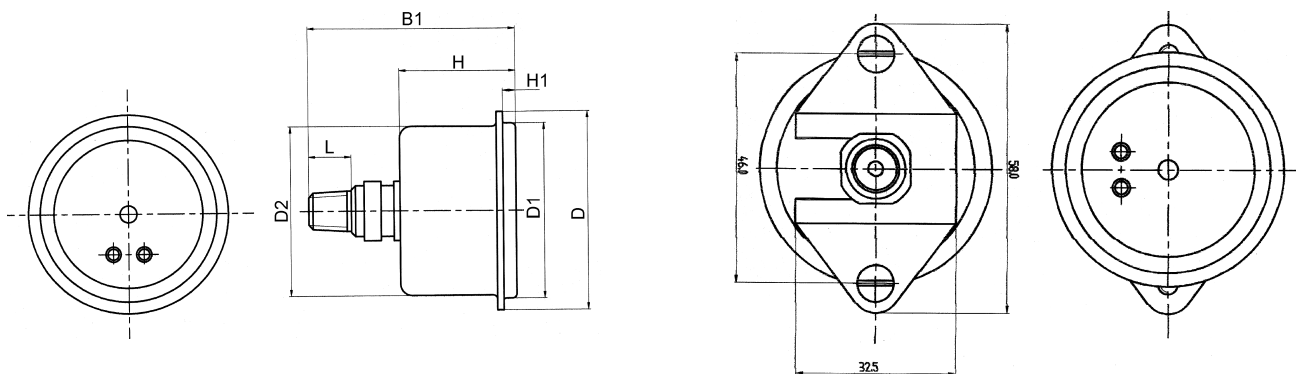
仪表型号标示

Type code

P-040. ZO. 203 (Y49-AZ)

P-050. ZO. 203 (Y512-AZ)

几何尺寸 DIMENSIONS



单位 Unit : mm

安装外径结构 Mounting	D	D1	D2	B1	H	H1	L	K1	K2
40 轴向结构 Back mounting	47	41.5	40	50	27.3	3	10		
50 轴向结构 Back mounting	57	51.5		50	29.7	3	13		
40 轴向卡子安装 Back clamp mounting	47	41.5	40	50	24.5	3	8	58	46
50 轴向卡子安装 Back clamp mounting	57	51.5		50	37		13	70	58