

## Two Valves

- 广泛用于石化、电力、医药等行业
- 配合压力表、压力开关、压力变送器使用
- 测量腐蚀、粘稠、易结晶的气体、液体
- Designed for use in chemical and petrochemical power plant and pharmaceutical
- Isolate the sensing element of pressure gauges, pressures switches and pressure transmitters from process liquids
- Suitable for corrosive, viscous and sedimentous gases or liquids



### 主要技术指标

承压能力：0-40Mpa  
工作温度：-30+180  
本体材质：316  
阀针材质：316  
密封材质：PTFE  
接口：螺纹 M20\*1.5M-M20\*1.5F  
1/2 " NPT M-1/2 " NPT F  
G1/2 " M-G1/2 " F

### APECIFICATIONS

Nominal pressure: 0-40Mpa  
Working temperature: -30+180  
Body material:316  
Needle plug material:316  
Packing material: PTFE  
Connection: thread M20\*1.5M-M20\*1.5F  
1/2 " NPT M-1/2 " NPT F  
G1/2 " M-G1/2 " F

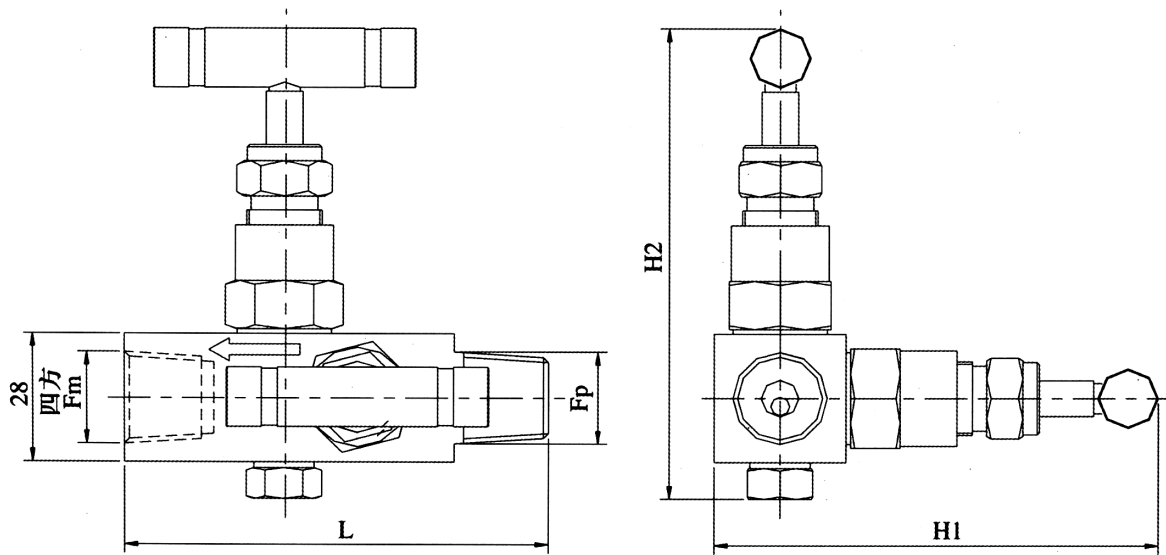
### 特殊项

材质：321，304，316L  
接口：可根据客户要求订制

### SPECIAL VERSIONS

Material:321, 304, 316L  
Connection: other on request

外形尺寸图 DIMENSIONS (mm)



Fp-Fm	L	H	CH
M20x1.5M - M20x1.5F	90	94...100	100...106
1/2 "NPT M - 1/2 "NPT F	32	94...100	100...106
G1/2 "M - G1/2 "F	32	94...100	100...106