

Dampeners

- 广泛用于石化、电力、医药等行业
- 配合压力表、压力开关、压力变送器使用
- 测量腐蚀、非粘稠、洁净的气体、液体
- Designed for use in chemical and petrochemical power plant and pharmaceutical
- Isolate the sensing element of pressure gauges, pressures switches and pressure transmitters from process liquids
- Suitable for corrosive, nonviscous and clean gases or liquids



主要技术指标

承压能力：0-40Mpa

阻尼可调范围：0-100%

接液材质：316+ 丁晴橡胶

接口：螺纹 M20*1.5M-M20*1.5F

1/2 " NPT M-1/2 " NPT F

G1/2 "M-G1/2 "F

APECIFICATIONS

Nominal pressure: 0-40Mpa

Damp adjust able range: 0-100%

Wetted part material: 316+BUNA

Connection: thread M20*1.5M-M20*1.5F

1/2 " NPT M-1/2 " NPT F

G1/2 "M-G1/2 "F

特殊项

本体材质：321，304，316L,Cu

密封材质：根据介质温度不同可选择氟橡胶 -25-+240

接口：可根据客户要求订制

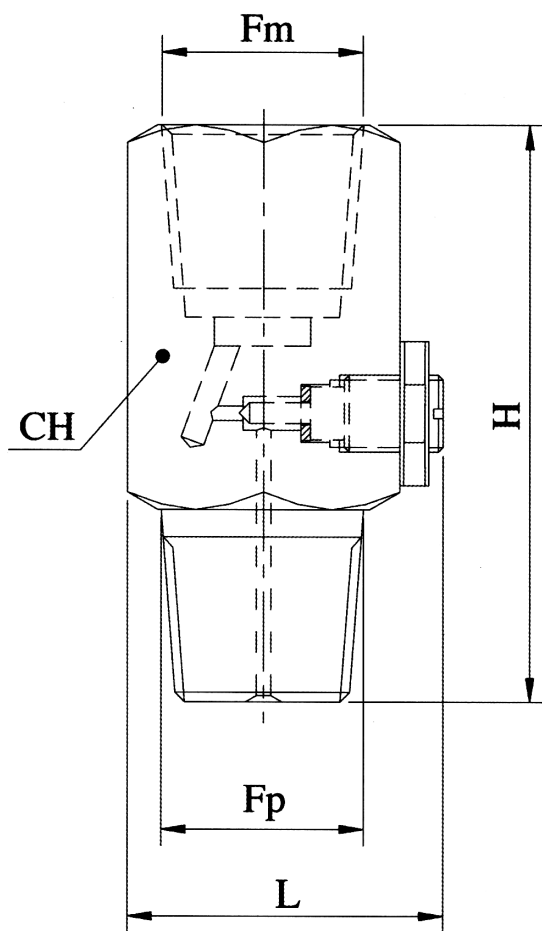
SPECIAL VERSIONS

Body material:321, 304, 316L,Cu

Packing material: as different process temperature VITON-25-+240

Connection: other on request

外形尺寸图 DIMENSIONS (mm)



Fp-Fm	L	H	CH
M20x1.5M - M20x1.5F	32	60	28
1/2 "NPT M - 1/2 "NPT F	32	60	28
G1/2 "M - G1/2 "F	32	60	28